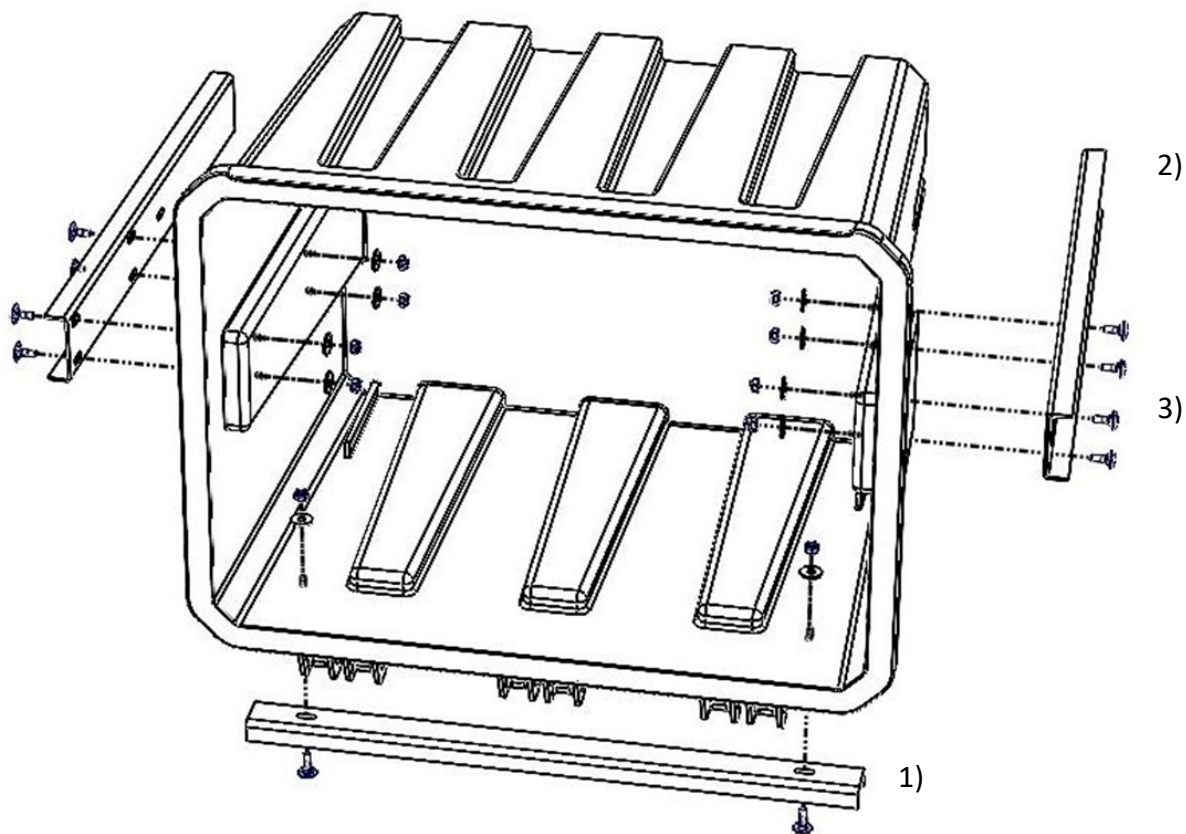


INSTALLATION INSTRUCTIONS

102901 Installation kit SL2 (horizontal) for
100452 Toolbox 600x450x450



Pos.	Qty	Part	
1	2 x	U-profile 530mm	
2	2 x	U-profile 470mm	
3	8 x		Square Neck Bolt M6x16
3	8 x		Nut Nyloc M6
3	8 x		Washer M6x18

